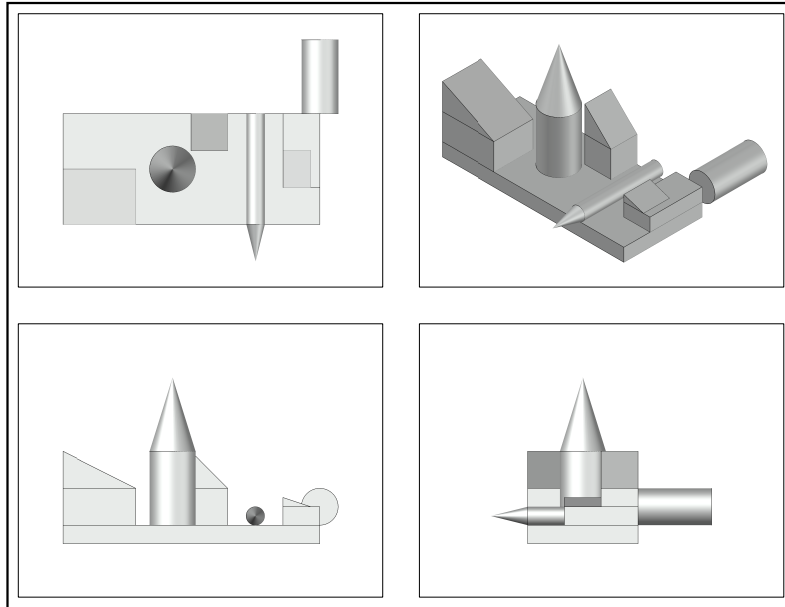


## Exercise 22A: Plot Multiple Views

1. Open **Ex-16D**.
2. Change display to **Parallel**. This step has been revised, as the display needs to be set to Parallel before proceeding.
3. Set up the drawing to plot the **top**, **front**, **right**, and **isometric** views, as shown on pages 22-2 and 22-3.
4. Adjust the viewport scale to **1:4** in each viewport. Pan if necessary, and then lock each viewport.
5. **Save as Ex-22A**




---

## Exercise 22B: Create Projected Views

1. Open **3d.demo.dwg**.
2. Change the display to **Parallel**.
3. Set up the drawing to plot the **top**, **front**, **right**, **isometric**, and section views, as shown on pages 22-3 to 22-6.
4. **Save as Ex-22B**

